

WPSL Slim LED Wall Pack

The WPSL Slim LED Wall Pack as the next generation is designed to efficiently illuminate walkways, areas, and general lighting applications. The Slim LED Wall Pack features an advanced LED optical system that provides high uniformity, excellent vertical light distribution, reduced on-site glare and effective security light levels. The WPSL LED Wall Pack offers identical photometric to the EANB Area Light, which allows lighting designers to capitalize on the same features without compromising site layouts. In keeping with a sleek design strategy, this product offers a modern look, balancing the need for photometric scalability with reliable workhorse performance.

MOUNTING AND WIRING

Mount directly over a standard outlet box or for surface wiring via any of the 3 convenient 3/4 inch threaded conduit entry hubs.

ENVIRONMENTAL SYSTEM

ETL/cETL Listed for outdoor locations.

ELECTRICAL SYSTEM

Integral high performance LED driver.

Universal input voltage 120-277VAC, 50/60Hz.

OPTICAL SYSTEM

High performance LEDs mounted on metal core board and integral aluminum heat sink.

Color Temperature: 3000K/4000K/5000K.

LIGHTING CONTROL

0-10V dimmable/photocell



SUITABLE FOR
WET
LOCATIONS



Specifications:

ITEM	SPECIFICATION	KLWPSL25	KLWPSL35
	Power Consumption(W)	25W	35W
	Lumens Delivered (lms)	2800lms	3800lms
	Efficacy (lm/W)	115lm/w	110lm/w
	CRI	>70	>70
GENERAL	Color Temperature	3000K/4000K/5000K	3000K/4000K/5000K
PERFORMANCE	L70	More than 50,000 hours	More than 50,000 hours
	Power Factor	0.98 at 120VAC 0.90 at 277VAC	0.98 at 120VAC 0.90 at 277VAC
ELECTRICAL	Input Voltage	120-277VAC	120-277VAC
	Housing	Die-cast aluminum body(Bronze/Black)	Die-cast aluminum body(Bronze/Black)
		Glass cover, PC lens	Glass cover, PC lens
PHYSICAL	Installation	Recessed outlet box or wall surface	Recessed outlet box or wall surface
	Operating Temperature	-30°C up to 50°C (-22°F up to 122°F)	-30°C up to 50°C (-22°F up to 122°F)
	Environment	Suitable for damp/wet locations	Suitable for damp/wet locations
CERTIFICATION	Warranty	5 years	5 years
	Certification	ETL/cETL	ETL/cETL

Order Information:

Family	Wattage	Separator	CCT	Version	Label	Default
KLWPSL	25: 25W	-	30K: 3000K	S: Standard	0: Kili-LED Label	X
Kili-LED Slim Full Cut-off	35: 35W		40K: 4000K		1: Customized Label	
LED Wall Pack			50K: 5000K			

KLWPSL25:

G/W: 7.40kgs (16.30lbs) /4pcs

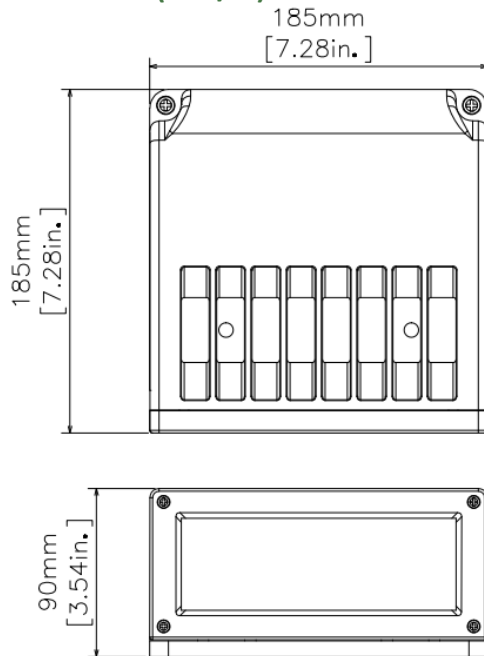
Carton Dimension: 41cm*22cm*23cm /4pcs

KLWPSL35:

G/W: 8.00kgs (17.60lbs) /4pcs

Carton Dimension: 41cm*22cm*23cm /4pcs

Dimension: (mm/in)



Photometric:

Luminous Intensity Distribution Diagram (Unit: CD)

